

USB PLUG A TYPE SIDE ENTRY SMT CONNEC.



5610 SERIES. USB A Type Plug connector.

General Features

- Standard Usb connector 4 pins A type
- Contact area: selective gold plating over nickel
- Solder area: tin plating over nickel
- Standoff: 0 mm.
- With board lock fixing tab

Materials

- Insulator: PBT GF UL 94 V-0
- Contact: Brass $t = 0.25$ mm gold plated
- Shell: stainless steel $t = 0.30$ mm. $40 \mu\text{m}$ min. nickel over plated
- Operating temperature. -25°C to $+85^{\circ}\text{C}$
- RoHS compliant

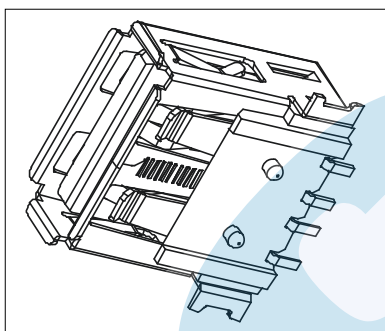
Dimension Information

Electrical Features

- Voltage rating: < 250 V
- Current rating: 1.5 A
- Contact resistance: < 30 m Ω
- Dielectric withstanding Voltage: 500 V AC/minute
- Insulation resistance: > 1000 M Ω

Mechanical Features

- Mating force: < 3.50 Kgf
- Unmating force: > 1.00 Kgf
- Durability: 1.500 Cycles



Ordering Information:

5610 - T- 04- 1- E
1 2

1. (T) = Contact Plating

- T = 13. Selective gold flash over $50\mu\text{m}$ nickel Recommended Finish
- T = 15. $15\mu\text{m}$ selective gold over $50\mu\text{m}$ nickel

2. (E) = Packing Options

- E = 1. Tube
- E = 2. Reel

