

USB SOCKET A TYPE TOP ENTRY CONNEC.



5608 SERIES. USB A Type socket connector.

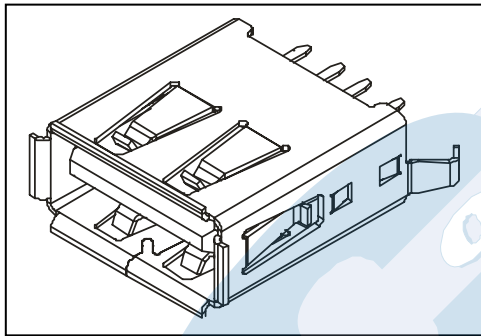
General Features

- Standard Usb connector 4 pins A type
- Contact area: selective gold plating over nickel
- Solder area: tin plating over nickel
- With board lock fixing tab

Materials

- Insulator: PBT GF UL 94 V-0
- Contact: Brass $t = 0.25$ mm gold plated
- Shell: stainless steel $t = 0.30$ mm. 40μ " min. nickel over plated
- Operating temperature. -25°C to $+85^{\circ}\text{C}$
- RoHS compliant

Dimension Information



Electrical Features

- Voltage rating: < 250 V
- Current rating: 1.5 A
- Contact resistance: < 30 m Ω
- Dielectric withstanding Voltage: 500 V AC/minute
- Insulation resistance: >1000 M Ω

Mechanical Features

- Mating force: < 3.50 Kgf
- Unmating force: > 1.00 Kgf
- Durability: 1.500 Cycles

Ordering Information:

5608 - T- 04- 1 -E

T = Contact Plating

- T = 2. Tin plated
- T = 3. Gold flash over 50μ " nickel.
Recommended Finish
- T = 13. Selective gold flash over 50μ " nickel

E = Packing Options

- E = 4. Reel + Film

