

# USB SOCKET A TYPE TOP ENTRY CONNECT.



## 5602 SERIES. USB A Type connector.

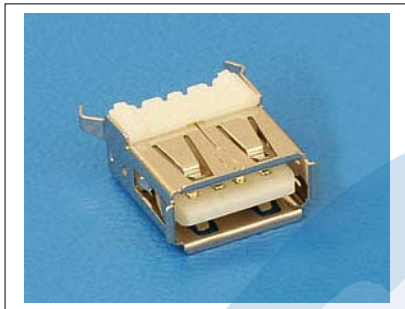
### General Features

- Standard Usb connector 4 pins A type
- Contact area: selective gold plating over nickel
- Solder area: tin plating over nickel
- With board lock fixing tab

### Materials

- Insulator: PBT GF UL 94 V-0
- Contact: brass  $t = 0.25$  mm. gold plated
- Shell: stainless steel  $t = 0.30$  mm.  $40 \mu\text{m}$  min. nickel over plated
- Operating temperature.  $-25^{\circ}\text{C}$  to  $+85^{\circ}\text{C}$
- RoHS compliant

### Dimension Information



### Electrical Features

- Voltage rating:  $< 250$  V
- Current rating:  $1.5$  A
- Contact resistance:  $< 30$  m $\Omega$
- Dielectric withstanding Voltage:  $500$  V AC/minute
- Insulation resistance:  $> 1000$  M $\Omega$

### Mechanical Features

- Mating force:  $< 3.50$  Kgf
- Unmating force:  $> 1.00$  Kgf
- Durability:  $1.500$  Cycles

### Ordering Information:

**5602 - T- XX- 1**

1                      2                      3

#### 1. Connector Series

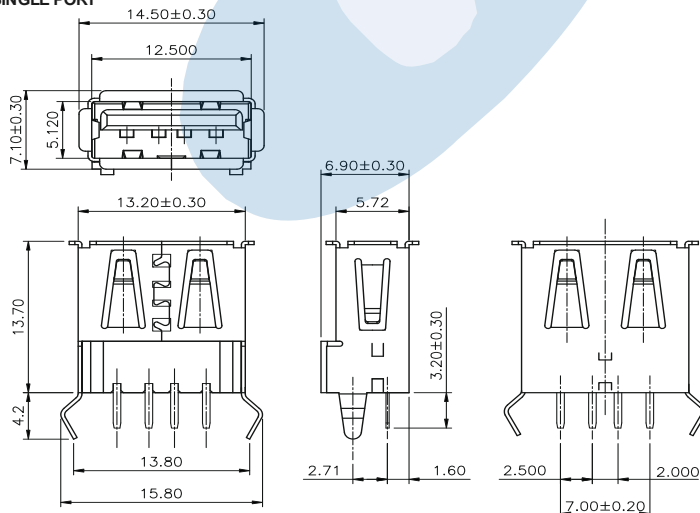
#### 2. (T) Contact Plating

- T = 3. Gold flash over  $50 \mu\text{m}$  nickel

#### 3. (XX) Number of circuits

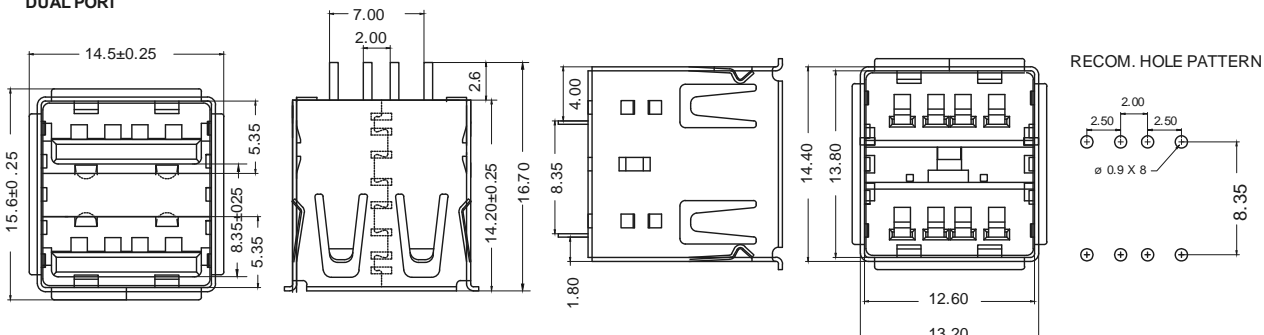
- XX = 04. 4 circuits (Single port)
- XX = 08. 8 circuits (Dual port)

#### SINGLE PORT



RECOMMENDED HOLE PATTERN

#### DUAL PORT



RECOM. HOLE PATTERN