

USB SOCKET A TYPE SIDE ENTRY CONNEC.



5600 SERIES. USB A Type connector.

General Features

- Standard Usb connector 4 pins A type
- Contact area: selective gold plating over nickel
- Solder area: tin plating over nickel
- Standoff: 0 mm. With board lock fixing tab
- Single and dual level

Materials

- Insulator: PBT GF UL 94 V-0
- Contact: Phosphor bronze t = 0.25 mm
- Shell: stainless steel t = 0.30 mm. 40 μ" min. nickel over plated
- Operating temperature. -25°C to +85°C
- RoHS compliant

Dimension Information

Electrical Features

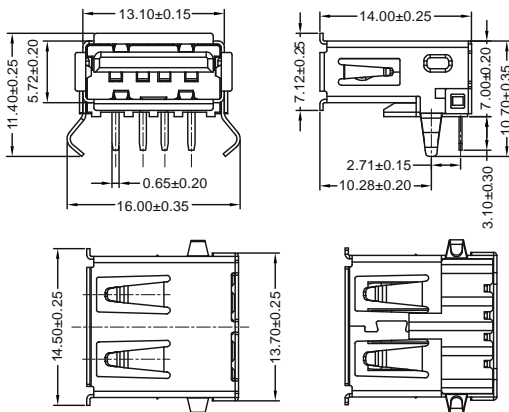
- Voltage rating: < 250 V
- Current rating: 1.5 A
- Contact resistance: < 30 mΩ
- Dielectric withstanding Voltage: 500 V AC/minute
- Insulation resistance: >1000 MΩ

Mechanical Features

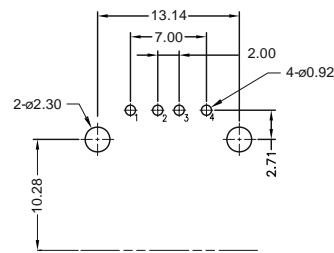
- Mating force: < 3.50 Kg f
- Unmating force: > 1.00 Kg f
- Durability: 1.500 Cycles

Connector Type	Part Number
SINGLE	5600 - 3041
DUAL	5600 - 3081

SINGLE



RECOMMENDED HOLE PATTERN (Tolerance: ±0.10)



DUAL

