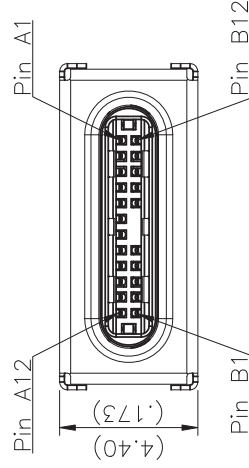
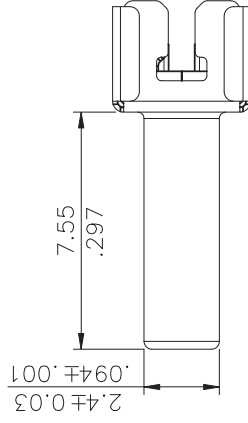
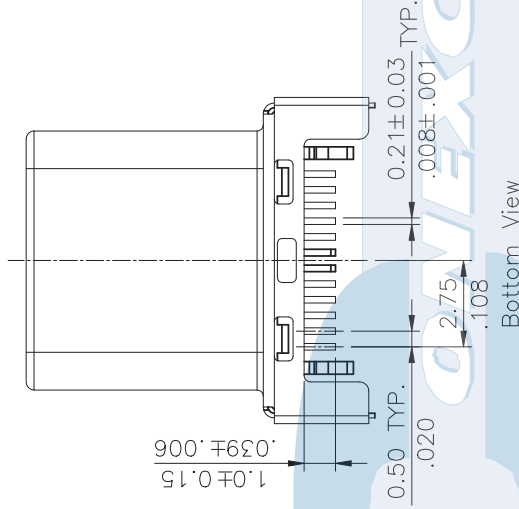


Note:

- \* Materials :  
 Insulator: Thermoplastic UL94 V-0  
 Contacts: Copper Alloy  
 Shell: Stainless Steel with Nickel plated  
 Latch: Stainless Steel with Nickel plated  
 EMI Spring: Stainless Steel



Ordering Information:

**5578 - I- 24- 1- E**  
 1            2            3            5

**1. Connector Series**

**2. (I) Contact Plating**

- T = 16. 30µ" selective gold over nickel Recommended Finish

**3. (XX) Number of circuits**

- Available in 24 circuits

**5. (E) Packing Options**

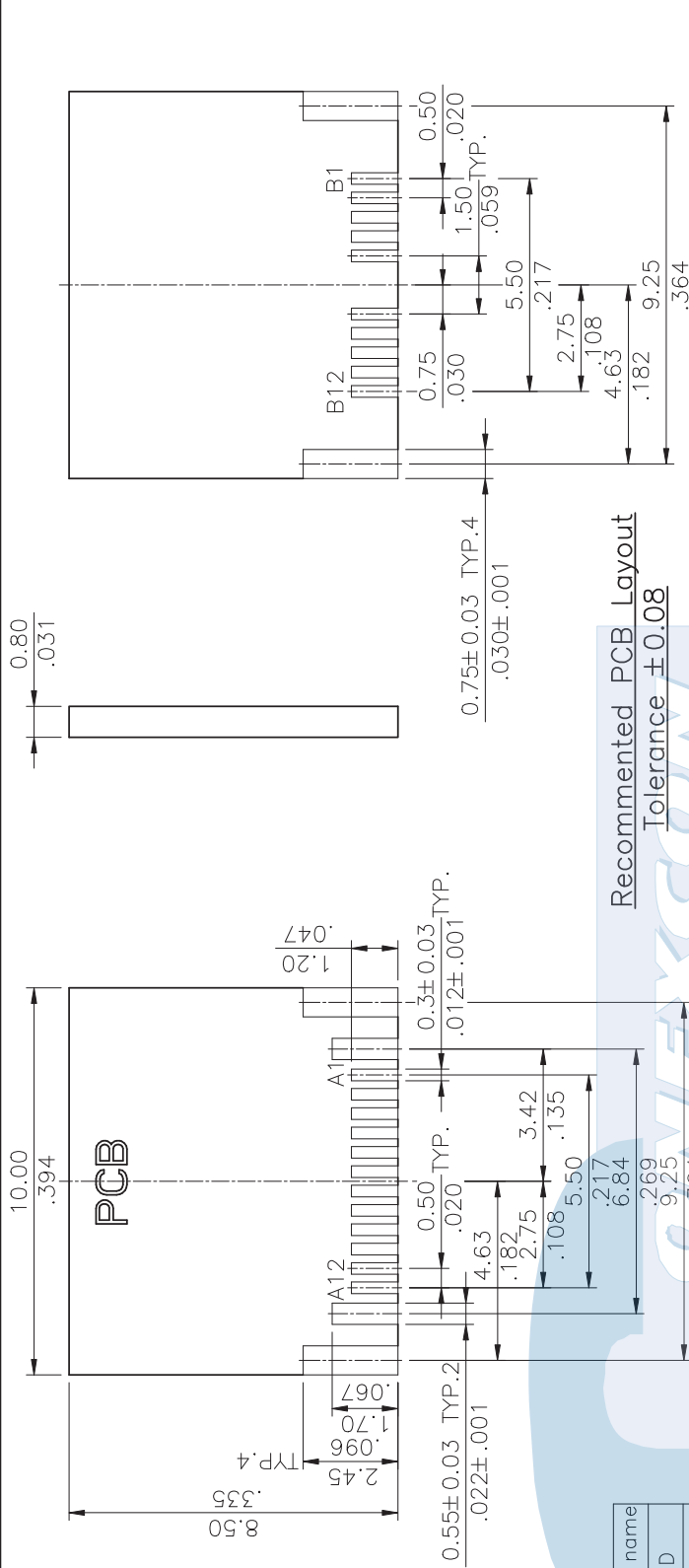
- E = 2. Reel

Halogen-Free

Lead Free Process

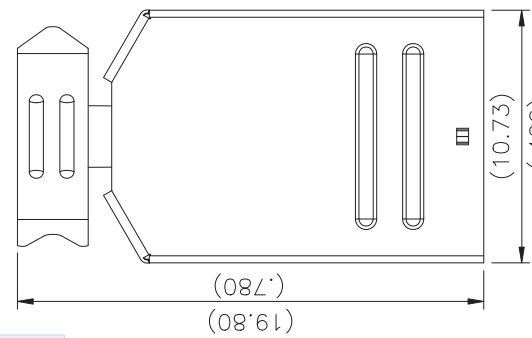
RoHS Compliant

|     |      |                     |           |                                      |                  |                   |                      |
|-----|------|---------------------|-----------|--------------------------------------|------------------|-------------------|----------------------|
| 6   |      |                     |           | UNIT: mm / inch                      |                  | TITLE: USB TYPE C | ONEXCON              |
|     |      |                     |           | TOLERANCE UNLESS OTHERWISE SPECIFIED | BOARD MOUNT PLUG |                   |                      |
| 5   |      | DATE                | DATE      |                                      |                  | MATERIAL:         | DRAWING NO. CU1806S1 |
| 4   |      | DRAWN BY: Ellie     | 4/24-15'  | X ± 0.25/.010                        | X ± 3            | FINISH:           | PART NO. 5578 Series |
| 3   |      | ENGINEER: Sun       | 4/24-15'  | .XX ± 0.13/.005                      | .X ± 2           | SCALE             | 4 / 1                |
|     |      | CHECKED BY: Eisley  | 4/28-15'  | .XXX ± 0.05/.002                     | .XX ± 1          |                   | SHEET 1 OF 2         |
|     |      | APPROVED BY: Eisley | 4/28-15'  |                                      |                  |                   |                      |
| SYM | NAME | DATE                | REVISIONS |                                      |                  |                   |                      |

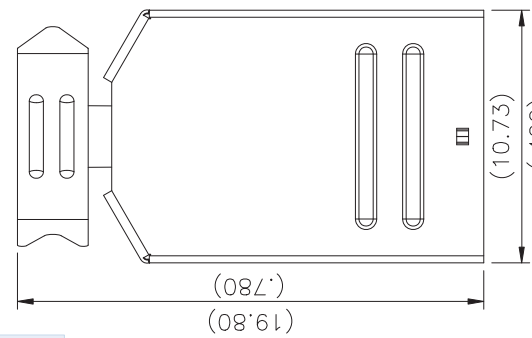


**Recommended PCB Layout**  
Tolerance ±0.08

| Pin NO. | Signal name | Pin NO. | Signal name |
|---------|-------------|---------|-------------|
| A1      | GND         | B1      | GND         |
| A2      | SSTXp1      | B2      | SSTXp2      |
| A3      | SSTXn1      | B3      | SSTXn2      |
| A4      | VBUS        | B4      | VBUS        |
| A5      | CC1         | B5      | CC2         |
| A6      | Dp1         | B6      |             |
| A7      | Dn1         | B7      |             |
| A8      | SBU1        | B8      | SBU2        |
| A9      | VBUS        | B9      | VBUS        |
| A10     | SSRXn2      | B10     | SSRXn1      |
| A11     | SSRXp2      | B11     | SSRXp1      |
| A12     | GND         | B12     | GND         |



Shell: top view



Shell: Bottom view

RoHS Compliant

|     |             |          |                            |                         |
|-----|-------------|----------|----------------------------|-------------------------|
| 6   | DATE        |          | UNIT: mm / inch            | TITLE: USB TYPE C       |
|     | DATE        | 4/24-15' | TOLERANCE                  | BOARD MOUNT SOCKET PLUG |
|     | DATE        | 4/24-15' | UNLESS OTHERWISE SPECIFIED | MATERIAL:               |
|     | DATE        | 4/28-15' | X ±                        | FINISH:                 |
| 5   | DRAWN BY:   | Ellie    | X* ± 1"                    | DRAWING NO. CU1806S1    |
| 4   | ENGINEER:   | Sun      | X ±                        | PART NO. 5578 Series    |
| 3   | CHECKED BY: | Eisley   | XX ±                       | SCALE                   |
| SYM | NAME        | DATE     | XXX                        | SHEET 2 OF 2            |

