

CRIMP MALE TERMINAL



5311 SERIES. 1.30 (0.051") mm. Diameter.

General Features

- Accommodates wire range AWG 16 through 20
- Use in housing 1.30 mm. diam. 5300 series
- Round male contact with tin plated locking lance
- Maximum insulation diameter 3.40 mm. (0.134")

Materials

- Contact: Brass tin plated Brass
- Operating temperature: -25°C to +105°C

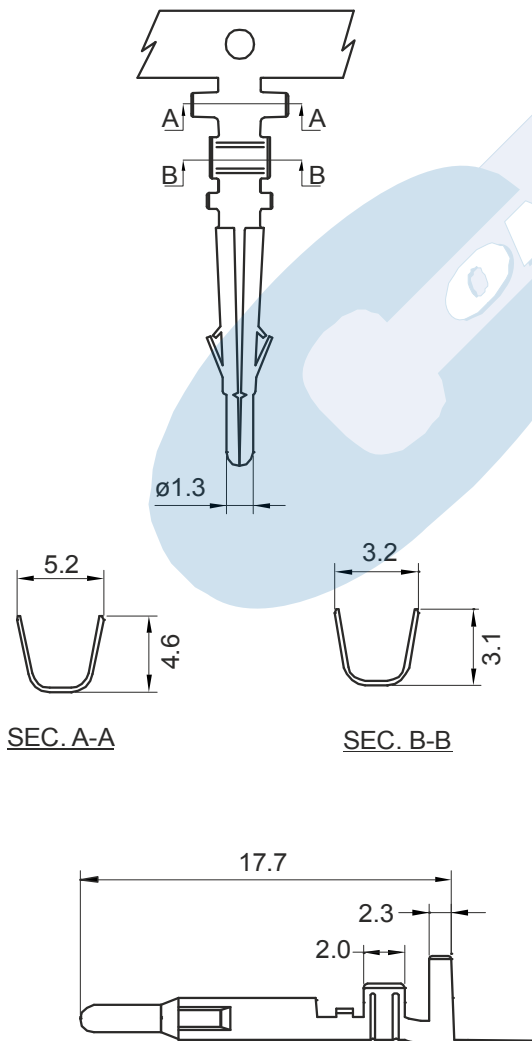
Electrical Features

- Current rating: < 5 A
- Contact resistance: < 10 mΩ

Mechanical Features

- Wire pull-out force:
 - 7.00 Kgf 16 AWG
 - 6.50 Kgf 18 AWG
 - 6.00 Kgf 20 AWG
- Durability: 25 cycles

Dimensional Information



| | | | | | | |
|-------------------------------|---|----------|---|-----------|---|----------|
| 5311 | - | T | - | 00 | - | E |
| 1 | | | | | | 3 |
| 1. Terminal Series | | | | | | |
| 2. (T) Contact Plating | | | | | | |
| ● T = 2. Tin plated | | | | | | |
| 3. (E) Packing Options | | | | | | |
| ● E = 0. Chain | | | | | | |
| ● E = 1. Loose Piece | | | | | | |

