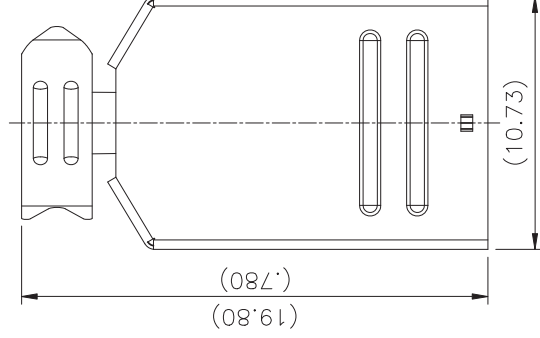
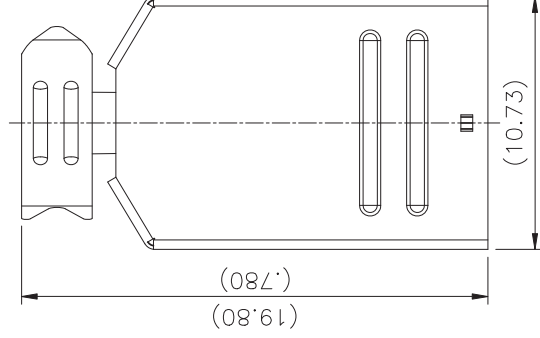


Recommended PCB Layout
Tolerance ± 0.08



Shell: top view



Shell: Bottom view

RoHS Compliant

* Pin Assignment

Pin NO.	Signal name	Pin NO.	Signal name
A1	GND	B1	GND
A2	SSTXp1	B2	SSTXp2
A3	SSTXn1	B3	SSTXn2
A4	VBUS	B4	VBUS
A5	CC1	B5	CC2
A6	Dp1	B6	
A7	Dn1	B7	
A8	SBU1	B8	SBU2
A9	VBUS	B9	VBUS
A10	SSRXn2	B10	SSRXn1
A11	SSRXp2	B11	SSRXp1
A12	GND	B12	GND

6				DATE	4/24-15'	UNIT: mm / inch	TITLE: USB TYPE C BOARD MOUNT PLUG
5		DRAWN BY: Ellie			4/24-15'	TOLERANCE UNLESS OTHERWISE SPECIFIED	
4		ENGINEER: Sun			4/28-15'	X ±	MATERIAL:
3		CHECKED BY: Easley			4/28-15'	X' ± 1"	FINISH:
SYM	NAME	DATE	REVISIONS	APPROVED BY: Easley	4/28-15'	XX ±	
						XXX	



PART NO. 5579 Series
DRAWING NO.
SCALE
SHEET 2 OF 2